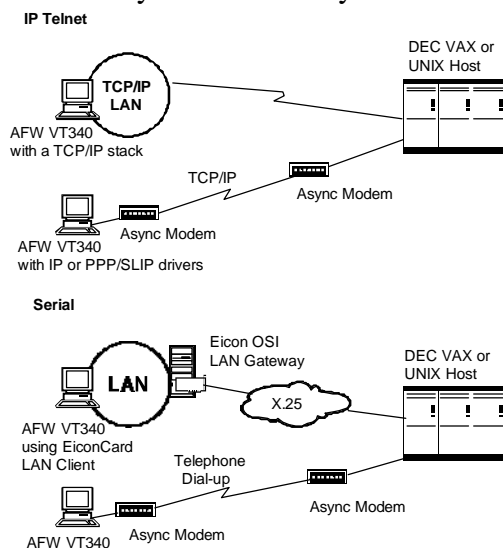


Access for Windows VT340 Release 4.20

Access for Windows VT340 is Eicon Technology's high performance PC-to-VAX and UNIX connectivity solution for Microsoft® Windows 3.x. A true Windows application, Access for Windows (AFW) VT340 accurately emulates all of the features of the DEC VT320, DEC VT340 and Tektronix 4010/14 terminals. Advanced Windows functionality like Dynamic Data Exchange (DDE), and fast and easy file transfer support make it the business user's solution for quick and easy access to host information. Connect Access for Windows VT340 to your VMS/UNIX host to display ReGIS, Sixel, or Tektronix graphics applications like DI-3000, GRAFS-MAN, Lotus 1-2-3, MACCS, RS-1, SAS/GRAPH, statit, 20/20, WordPerfect, and many others.

Access for Windows VT340 is designed to be network independent, and it supports a range of TCP/IP and serial interface connections. It offers fast file transfers over an FTP client, integrated host graphics, easy installation and configuration, and many extended features including a command language and a modem dialer. Access for Windows VT340 offers corporations a long term connectivity solution that yields reduced training and support costs.



*Access for Windows VT340 provides
Windows 3.x users with seamless access to
DEC VAX and UNIX-based host
applications*

■ Product Highlights

- VT320, VT220, VT102, VT100 and VT52 emulation support
- Complete file transfer support including:
 - Sliding Windows Kermit
 - XModem
 - Ymodem
 - ZModem
 - ASCII
- Advanced Windows FTP file transfer client
- ReGIS, Sixel and Tektronix 4010/14 graphics support
- Dynamic Data Exchange

What's in it for Me?

Today's managers are concerned with protecting their current investment. Access for Windows VT340 helps them do so because it runs on both Microsoft Windows 3.x and WFW 3.11.

High quality printing and graphics support, the easily customizable user interface and a rock solid file transfer program provide economies of scale for training and support requirements, and ultimately, decrease the total cost of ownership.

Feature	Benefit
Extra options as standard features	Host Graphics support and its own DCL-like command language are integrated in the package as standard features where many competitors offer them as extra add-on options at hundreds of dollars more!
ReGIS/Sixel Graphics support	The graphics support includes features like graphics scaling, VT340 graphics text and custom characters, graphics cut and paste, picture files, scroll memory, and true color support.
Dynamic Data Exchange (DDE)	A method for two independant Windows applications to exchange information. DDE can be used in commands to start another application, send or receive data to/from another application, or execute commands in another application. Supported in the command language too.
File Transfer	Supports XModem, YModem, Zmodem, ASCII and Kermit (sliding Windows) file transfer protocols, providing the most flexibility to the end user.
Windows FTP Client included	An award-winning Windows FTP Client - Eicon WFTP Pro, is included in the package for quick and easy file transfers.
Command Language	The powerful DCL-like command language is used to write scripts to automate repetitive tasks such as logging in, transferring files, and creating DDE procedures.
Customizable Mouse	The mouse interface allows the programming of mouse button combinations to application-specific strings.
Customizable, Graphical Toolbar	Easy one-click access to menu bar items that can be customized. Both fixed and floating toolbars are included, and contain 10 shortcut icons.

Local Printer Support	All VT340 printer modes are supported using Windows printer drivers. Screens can be printed in 80 or 132 column mode. Under host or local control, the emulator can be switched to auto or controller print mode to print reports from the host computer system. Bitmap printing, graphs, and high resolution printing are also supported.
Keyboard Mapping	DEC LK250, DEC LK450, standard IBM US, and international keyboards are supported. Customer keyboard configuration can be easily created with the graphical Key Mapper. Keys can be defined to send a string to the host, execute a command file, relocate a VT320 function key, and more.
Tektronix Graphics	Includes full 4010/14 emulation, and all Tektronix operating modes are supported: Alpha mode, Graphic and Point Plot mode, incremental Plot mode, and GIN mode. Also, Retrographics VT640 draw, undraw, and complement modes are supported.
International Support	Emulation features such as multinational and national Replacement Character sets are supported.
LAN File Server Installation	Provides access to all of the PCs attached to the network, saving time for the LAN administrator, and available disk space on the end user's PC. System administrators can limit user access to emulator settings file.
Single Document Interface (SDI)	Multiple instances of Access can also be open (up to 8).
Modem Dialer	Modem access is easy with the built in phonebook. Up to 50 numbers may be stored. Each phone number can be associated with a settings file and a command file, to perform automatic logins. The dialer also supports modem initialization and credit card dialing strings.
WordPerfect Mode	The emulator's WordPerfect mode allows editing of VAX or UNIX WordPerfect files using keystrokes identical to the DOS Version of WordPerfect.

Eicon Technology Corporation
 Tel.: (514) 745-5500
 Fax: (514) 745-5588
In the United States, Canada, Latin America:
 Tel.: 1-800-80-EICON
 (214) 239-3270
 Fax: (214) 239-3304

In Europe, Middle East, Africa:
 Tel.: +44 (0) 181 967-8000
 Fax: +44 (0) 181 967-8050
In Australia, New Zealand, Asia:
 Tel.: +61 (2) 9919-7200
 Fax: +61 (2) 9929-6300

Internet:
 North America: sales@eicon.com
 Europe: sales.europe@eicon.com
 Asia Pacific: sales.asiapac@eicon.com
 Worldwide Web: <http://www.eicon.com/>



© 1996 Eicon Technology Corporation. All rights reserved.
 All trademarks or registered trademarks are the property of their respective owners.